



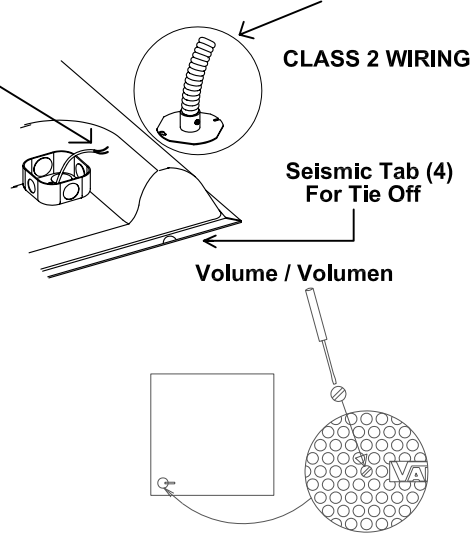
5614 Hollins Road ◇ Roanoke, VA, USA ◇ Phone 540.563.2000 ◇ FAX 540.362.9800

70 V Watts	25 V Watts	Set	Ohms
.312	-	1	1600
.625	-	2	8000
1.25	-	3	4000
2.5	.312	4	2000
5.0	.625	5	1000
-	1.25	6	500
-	2.5	7	250
-	5.0	8	125

IMPORTANT SAFETY INSTRUCTIONS

1. Read these Instructions.
2. Heed all warnings.
3. Follow all instructions.
4. Do not use this apparatus near water.
5. Clean only with a damp cloth.
6. Do not block any of the ventilation openings.
Install in accordance with the manufacturers instructions.
7. Do not install near any heat source such as, radiators, heat registers, stoves or other apparatus (including amplifiers) that produce heat.
8. Protect the power cord from being walked on or pinched particularly at plugs, convenience receptacles and the point where they exit from the apparatus.
9. Only use attachments/accessories specified by the manufacturer.
10. Refer all servicing to qualified service personnel. Servicing is required when the apparatus has been damaged in any way, such as power supply cord or plug is damaged, liquid has been spilled or objects have fallen into the apparatus, the apparatus has been exposed to the rain or moisture, does not operate normally or has been dropped.
11. Tie off to structure with support wire is recommended.

Connections / Conexiones / Connexiions Option / Opcion



PATENT NUMBER: 6,944,312

S-522A
MADE IN USA

Backbox meets or exceeds the
A.S.T.M. E84 flame and smoke
test -3 hour burn

Rev 1