

Clarity®

5614 Hollins Road ◇ Roanoke, VA, USA ◇ Phone 540.563.2000 ◇ FAX 540.362.9800

IMPORTANT SAFETY INSTRUCTIONS

1. Read these instructions.
2. Heed all warnings.
3. Follow all instructions.
4. Do not use this apparatus near water.
5. Clean only with a damp cloth.
6. Do not block any of the ventilation openings.
Install in accordance with the manufacturers instructions.
7. Do not install near any heat source such as, radiators, heat registers, stoves or other apparatus (including amplifiers) that produce heat.
8. Protect the power cord from being walked on or pinched particularly at plugs, convenience receptacles and the point where they exit from the apparatus.
9. Only use attachments/accessories specified by the manufacturer.
10. Refer all servicing to qualified service personnel. Servicing is required when the apparatus has been damaged in any way, such as power supply cord or plug is damaged, liquid has been spilled or objects have fallen into the apparatus, the apparatus has been exposed to the rain or moisture, does not operate normally or has been dropped.
11. Tie off to structure with support wire is recommended.

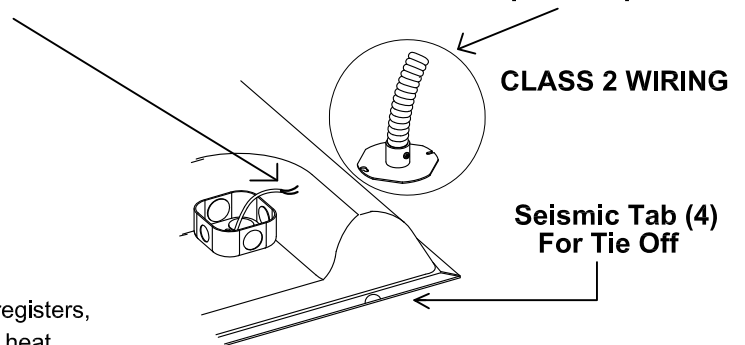
SUITABLE FOR AIR HANDLING SPACES



Audio Video Apparatus Audio Video Apparatus
92CF

PATENT NUMBER: 6,944,312

Connections / Conexiones / Connexiions Option / Opcion



70V	25V	Color	Ohms
Common	Common	Black	---
.312W	---	Violet	16000
.625W	---	Gray	8000
1.25W	---	Blue	4000
2.5W	.312W	White	2000
5.0W	.625W	Green	1000
---	1.25W	Orange	500
---	2.5W	Red	250
---	5.0W	Brown	125

S-422A
MADE IN USA

Backbox meets or exceeds the
A.S.T.M. E84 flame and smoke test

Rev 2