

SDU-410 DYNAMIC UNIDIRECTIONAL HANDHELD MICROPHONE

INTRODUCTION

These instructions contain the specifications and information necessary to install, operate, and maintain the SDU-410 Dynamic Unidirectional Handheld Microphone.

SPECIFICATIONS

Applications

- Clarity Paging Systems

Features

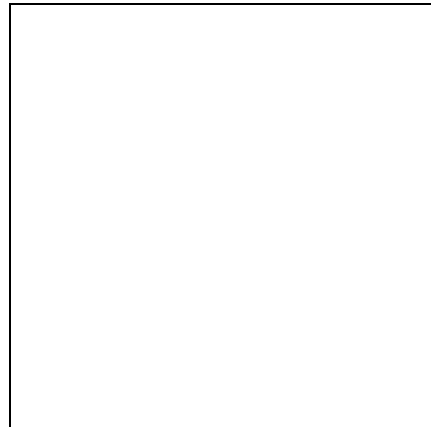
- Dynamic element
- Unidirectional cardioid pickup
- Die cast zinc alloy
- Woven steel grille screen
- Slide switch (line shorting)
- Microphone holder included
- 25 foot cable included
- Vinyl storage case included

Dimensions

6-3/4"L x 2-3/32"D
(17.14cm L x 5.32cm D)

Specifications

- Element: Dynamic
- Pattern: Unidirectional Cardioid
- Frequency Response: 60 to 14K Hz
- Output Impedance: Lo Z 500 ohms
- Output Level: -60db (0 dB = 1mw/1- microbars)



INSTALLATION

Figure 1 (reverse side) shows the SDU-410 connected to a Clarity mixer-amplifier.

TECHNICAL ASSISTANCE

When trouble is reported, verify that there are no broken connections leading to the microphone.

Assistance in troubleshooting is available from the factory. When calling, you should have a VOM available and be calling from the job site. Call (540) 427-3505 and ask for an Applications Engineer.

CLARITY equipment is not field repairable. CLARITY maintains service facilities in Roanoke, VA. Should repairs be necessary, please call (540) 427-3505 for a Return Authorization Number.

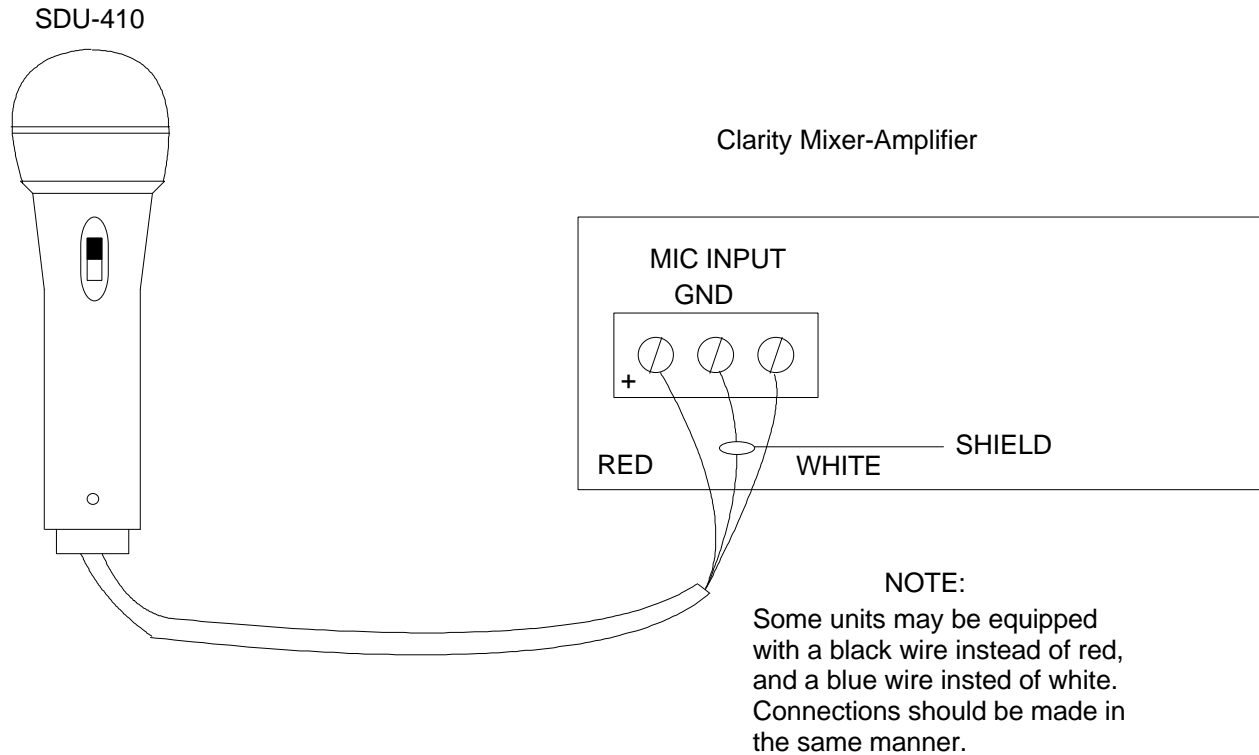


FIGURE 1 - CONNECTING ARRANGEMENT

LIMITED WARRANTY

Clarity warrants its products to be free from defects in materials and workmanship under conditions of normal use and service for a period of one year from the date of shipment. The obligation under this warranty shall be limited to the replacement, repair or refund of any such defective device within the warranty period, provided that:

1. Inspection by Clarity indicates the validity of the claim;
2. The defect is not the result of damage, misuse, or negligence after the original shipment;
3. The product has not been in any way repaired by others and that factory sealed units are unopened (A service charge plus parts and labor will be applied to units defaced or physically damaged);
4. Freight charges for the return of products to Clarity are prepaid,
5. All units "out of warranty" are subject to a service charge. The service charge will cover minor repairs (Major repairs will be subject to additional charges for parts and labor).

This warranty is in lieu of and excludes all other warranties, expressed or implied, and in no event shall Clarity be liable for any anticipated profits, consequential damages, loss of time or other losses incurred by the buyer in connection with the purchase, operation, or use of the product.

This warranty specifically excludes damage incurred in shipment. In the event a product is received in damaged condition, the carrier should be notified immediately. Claims for such damage should be filed with the carrier involved in accordance with the F.O.B. point.